

CCS Technical Documentation

NHL-2NA Series Transceivers

Accessories

[This page left intentionally blank]

Table of Contents

	Page No
BLB-2 Standard Battery.....	4
Product Code	4
ACP-8 Travel Charger	5
Product Variants and Codes	5
Specification	5
ACP-9 Charger.....	6
Product Codes	6
ACP-12 Charger.....	7
Product Codes	7
DCC-1 Desktop Stand.....	8
Product Code	8
DDC-1 Battery Charging Stand	9
Product Code	9
Specification	9
LCH-9 Mobile Charger	10
Product Code	10
Specification	10
HDD-1 Headset.....	11
Product Code	11
Headset HDC-5	12
Product Code	12
HDE-2 Headset	13
Product Code	13
HDB-5 Boom Headset	14
Product Code	14
Loopset LPS-3.....	15
Product Code	15
Recommended Batteries for LPS-3	15

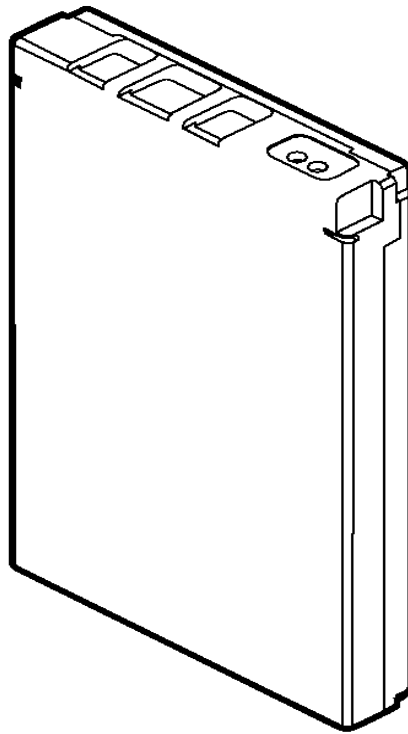
BLB-2 Standard Battery

The BLB-2 is a Li-ion battery in white plastic package.

Product Code

BLB-2 Battery pack: *0271570*

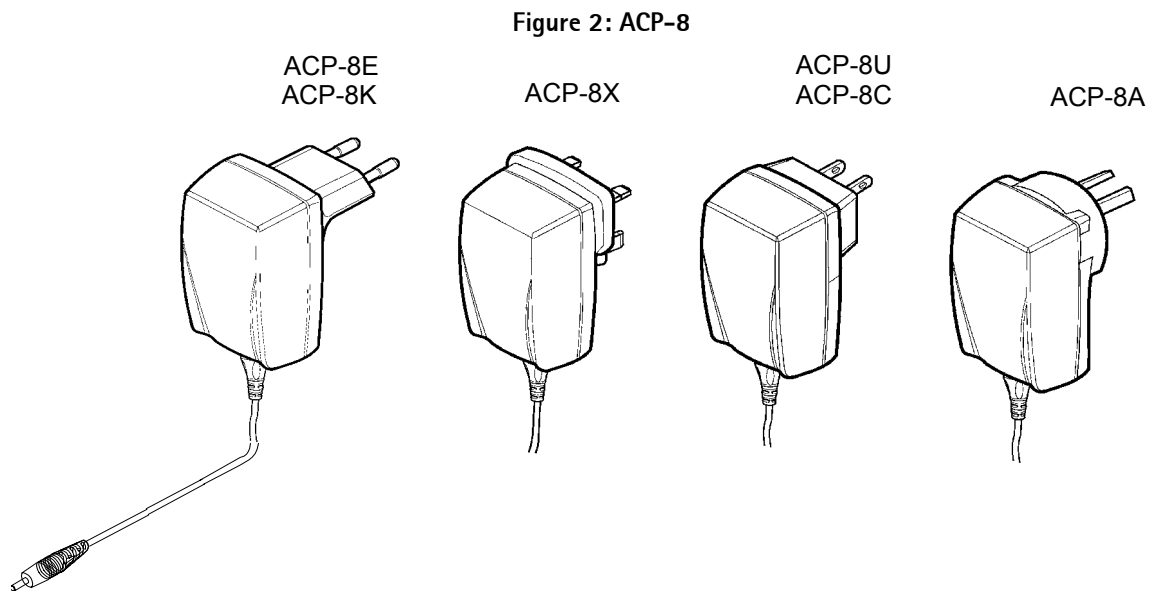
Figure 1: BLB-2



ACP-8 Travel Charger

Operating within the voltage range 90 V...264 V AC (50 Hz...60 Hz), the Travel Charger is practically current independent in normal office and household use. Like the standard charger, it is compatible with all battery options and is available for different wall sockets.

The Travel Charger can also be used with desktop stand.



Product Variants and Codes

ACP-8E	Travel Charger Euro plug 90-264 Vac	0272169
ACP-8K	Travel Charger Korea plug 90-264 Vac	0273111
ACP-8X	Travel Charger UK plug 90-264 Vac	0272172
ACP-8U	Travel Charger US plug 90-264 Vac	0675196
ACP-8C	Travel Charger China plug 90-264 Vac	0675211
ACP-8A	Travel Charger Australia plug 90-264 Vac	0271637

Specification

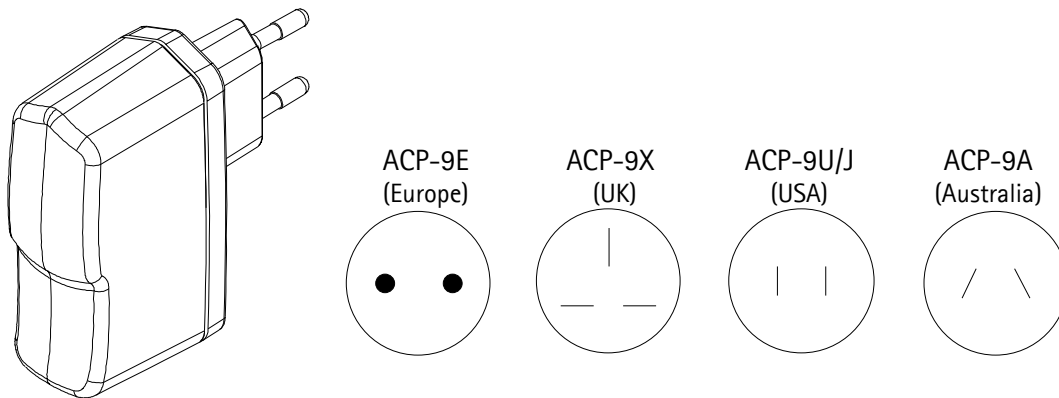
Output connectors: 3.5 mm DC plug, 2-pole (+, -, control)

Protection: Output fault voltage 16 V max.

Output voltage/current (typ): 6.0 V (+0.3 V)/ 620 mA

ACP-9 Charger

Figure 3: ACP-9



Product Codes

ACP-9E	0675149
ACP-9X	0675150
ACP-9XU	0675151
ACP-9J	0675153
ACP-9A	0675152

ACP-12 Charger

Product Codes

Travel Charger Europe	ACP-12E	0675294
TravelCharger UK	ACP-12X	0675296
Travel Charger USA	ACP-12U	0675303
Travel Charger Australia	ACP-12A	0675300

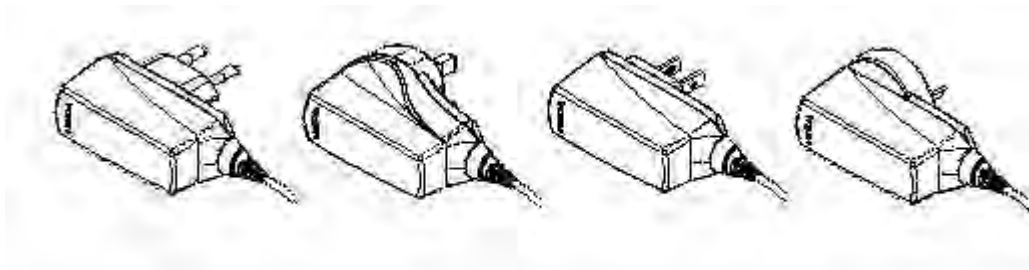
Figure 4: ACP-12

ACP-12E

ACP-12X

ACP-12U

ACP-12A



DCC-1 Desktop Stand

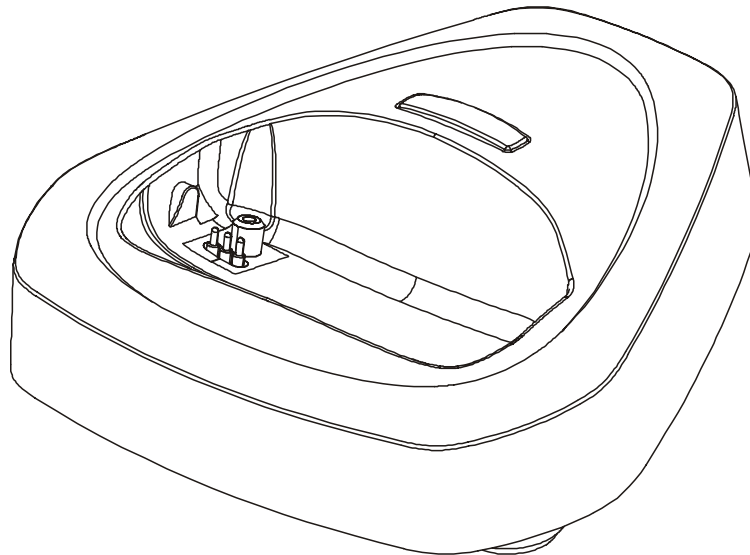
The desktop stand provides charging when connected with a charger.

Product Code

Desktop Stand DCC-1

0675288 (universal)

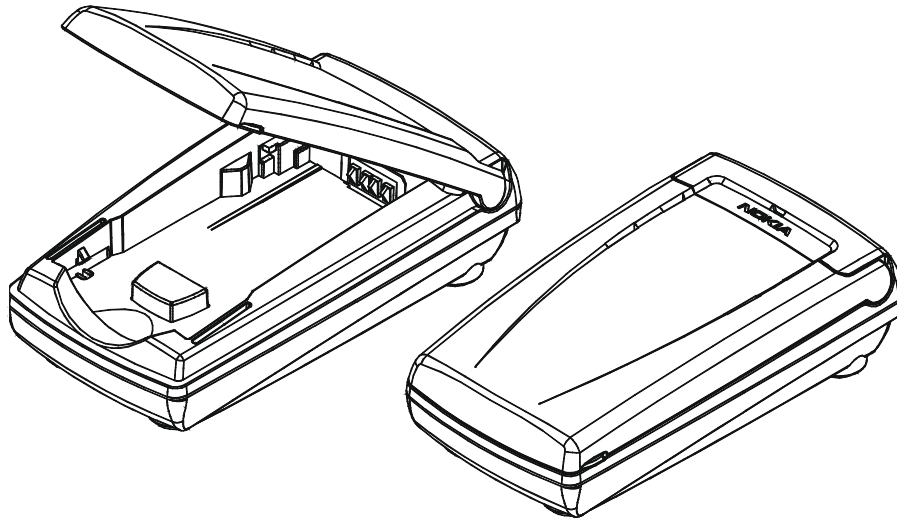
Figure 5: DCC-1



DDC-1 Battery Charging Stand

The Battery Charging Stand provides the possibility to charge a spare battery.

Figure 6: DDC-1



Product Code

DDC-1 Battery Charging Stand: 0272418

Specification

Connections: 3.5 mm DC jack (ACP-7, ACP-8, ACP-9 or ACP-12)

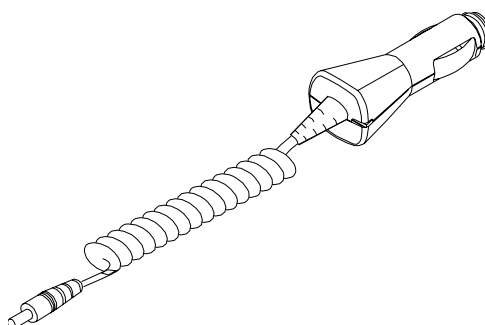
LCH-9 Mobile Charger

A green light indicates that the cigarette lighter charger is ready for charging. Check the charging status on the phone display. The input voltage can be from 11 or 32 V DC, negative grounding.

Product Code

LCH-9 Mobile Charger: 0675120

Figure 7: LCH-9



Specification

Connectors

- input: *D 21/23 mm*
- output: *3.5 mm DC plug*

Protection: *input fused, output current limit 850 mA*

Voltage

- input: *11...32 V*
- output (nominal): *8.4 V*

Nominal output current: *800 mA*

HDD-1 Headset

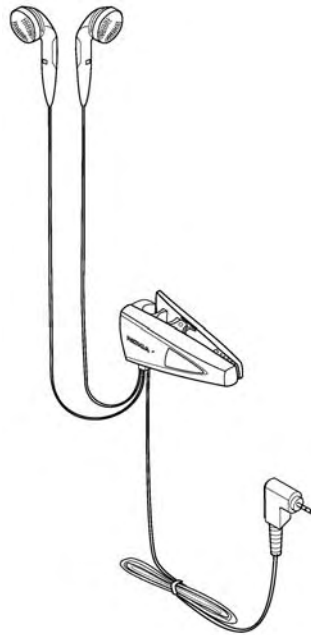
The HDD-1 headset provides good audio quality and also has an answer/end button.

Product Code

HDD-1 Headset

0273302

Figure 8: HDD-1



Headset HDC-5

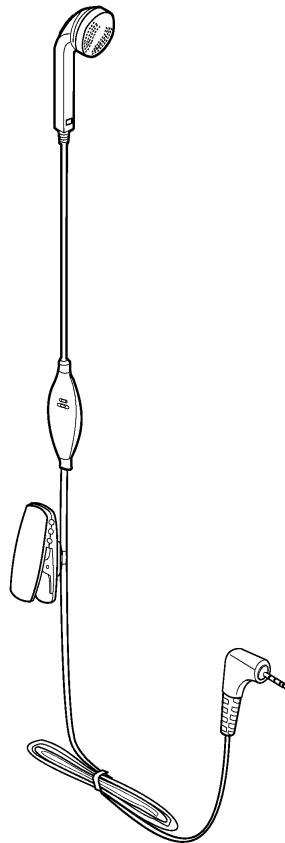
The HDC-5 headset has an answer/end button.

Product Code

HDC-5 Headset

0271467

Figure 9: HDC-5



HDE-2 Headset

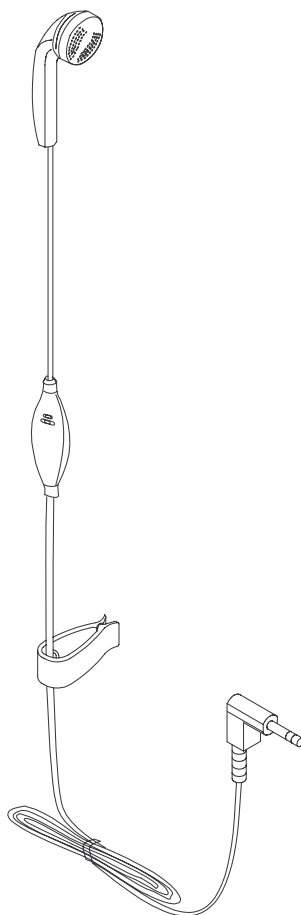
The HDE-2 headset provides convenient hands free operation of the phone.

Product Code

Headset HDE-2

0694075

Figure 10: HDE-2



HDB-5 Boom Headset

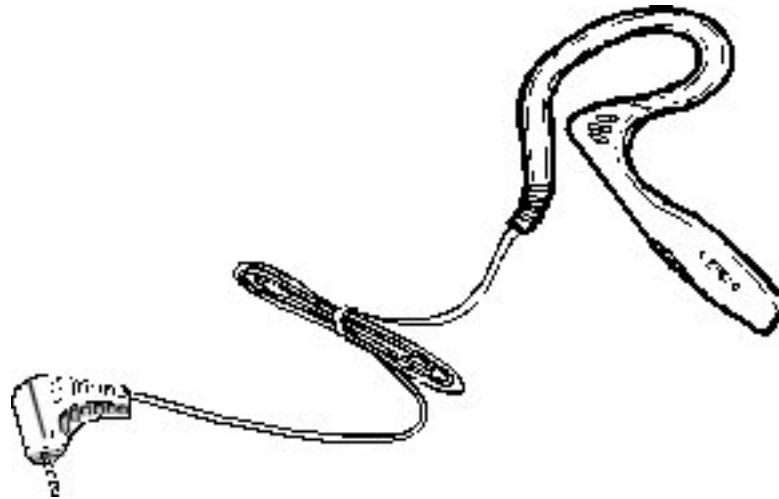
The HDB-5 Headset provides you with convenient, portable handsfree.

Product Code

HDB-5 Headset

0694107

Figure 11: HDB-5



Loopset LPS-3

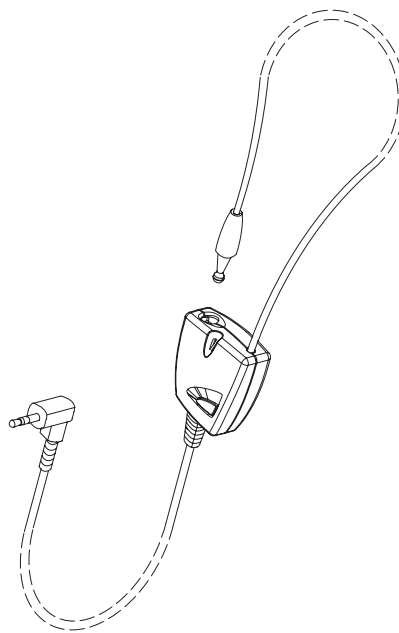
Loopset LPS-3 has been developed for hearing aid users to allow them to use mobile phones. It is based on induction technology.

All hearing aids have support for induction loop, ie. they have a little telecoil inside. This coil can capture the signal supplied to the loop. Standard hearing aids have two operation modes; M-mode for normal microphone use and T-mode for telecoil.

Product Code

Loopset LPS-3: 0272419

Figure 12: LPS-3



Recommended Batteries for LPS-3

Type	Size / IEC-type	Rated capacity	Talk time (3mA load)	Standby (20uA load)
Zinc Air Hearing Aid Battery	675 / PR44	540 mAh	180 hour.	840 hour or 35 day (1)
Silver Oxide Hearing Aid Battery	675 / SR44	150 mAh	50 hour.	7 500 hour or 310 day.
Alkaline Battery	675 / LR44	110 mAh	36 hour.	5 500 hour or 230 day.

Note : The capacity of the zinc air battery will fall 20% in a month. After the activation the zinc air battery begins to self-discharge. The battery will be empty within 5 weeks.

This page intentionally left blank.